

1. CN207108377 - LASER GUIDANCE FORK TRUCK AGV GETS CARGO AIRCRAFT AND CONSTRUCTS

National Biblio. Data Description Claims Drawings Documents

PermaLink Machine translation

Office

China

Application Number

201720595541.2

Application Date

25.05.2017

Publication Number

207108377

Publication Date

16.03.2018

Publication Kind

U

IPC

B66F 9/12

B66F 9/22

B66F 9/075

Applicants

HEFEI KEJIN AUTOMATION TECHNOLOGY CO., LTD.
合肥柯金自动化科技股份有限公司

Inventors

QIU MING
邱明
JIN YICHENG
金宣城

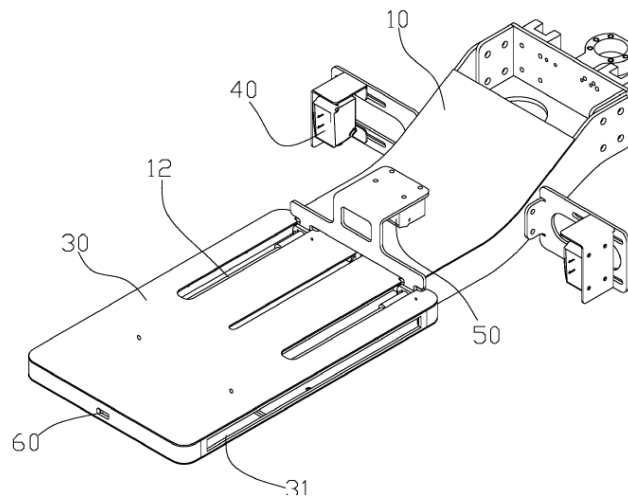
Agents

杭州君度专利代理事务所(特殊普通合伙) 33240

Title

[EN] Laser guidance fork truck AGV gets cargo aircraft and constructs

[ZH] 激光导引叉车AGV取货机构



Abstract

[EN] The utility model relates to a laser guidance fork truck AGV gets cargo aircraft and constructs, including the fork bed frame, fork bed frame front end sets up the direction backup pad, direction backup pad both sides set up the guide arm, the guide slot is set up to the centre of direction backup pad, the bottom of fork bed frame has linked firmly telescopic cylinder, the flute length parallel arrangement of guide slot is followed to telescopic cylinder's telescopic link, the top of telescopic cylinder's telescopic link is provided with the connecting rod, upper portion overhang to the guide slot top of connecting rod, direction backup pad top parallel arrangement has the fork slide, the bottom of fork slide links firmly with the upper portion of connecting rod, lie in the guide arm guide hole of having offered on the throne on the fork slide, telescopic cylinder drive fork slide is arranged the direction along the guide arm and is made a round trip to slide, the both sides of forkbed frame have linked firmly an angle iron frame, have linked firmly a photoelectric sensor on the angle iron frame, and the front end of fork bed frame makes progress the overhang has the 2nd angle iron frame, has linked firmly the 2nd electric sensor on the 2nd angle iron frame, and the front end of fork slide is offered and is put the groove, puts the inslot and has linked firmly the 3rd photoelectric sensor.

[ZH] 本实用新型涉及一种激光导引叉车AGV取货机构，包括货叉基架，货叉基架前端设置导向支撑板，导向支撑板两侧设置导杆，导向支撑板的中间开设导槽，货叉基架的底部固连有伸缩气缸，伸缩气缸的伸缩杆沿导槽的槽长平行布置，伸缩气缸的伸缩杆的顶端设置有连杆，连杆的上部悬伸至导槽上方，导向支撑板上方平行设置有货叉滑板，货叉滑板的底部与连杆的上部固连，货叉滑板上位于导杆所在位开设有导孔，伸缩气缸带动货叉滑板沿导杆布置方向来回滑动；货叉基架的两侧固连有第一角钢架，第一角钢架上固连有第一光电传感器，货叉基架的前端向上悬伸有第二角钢架，第二角钢架上固连有第二电传感器，货叉滑板的前端开设置放槽，置放槽内固连有第三光电传感器。

